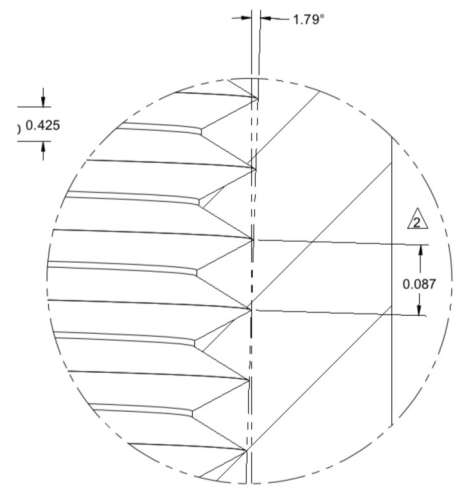
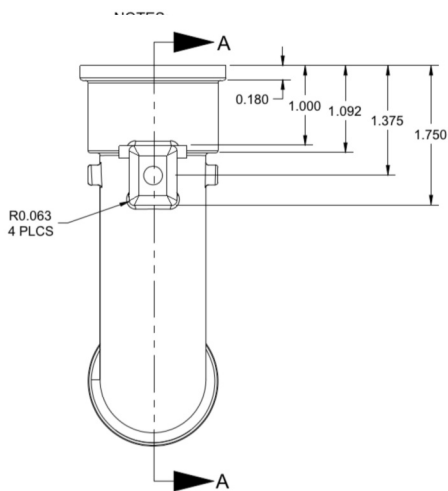
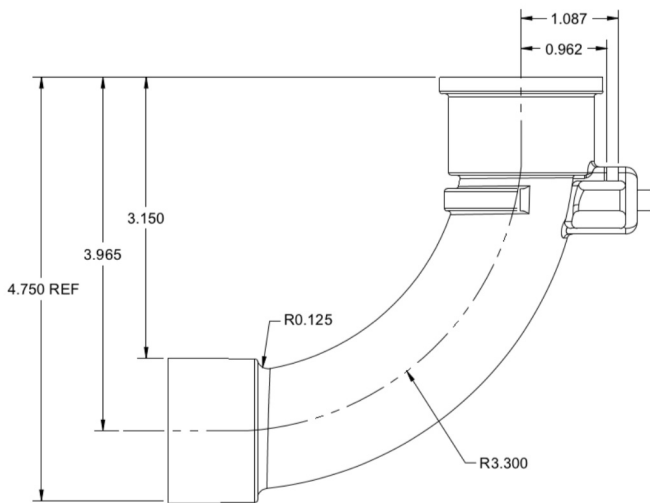
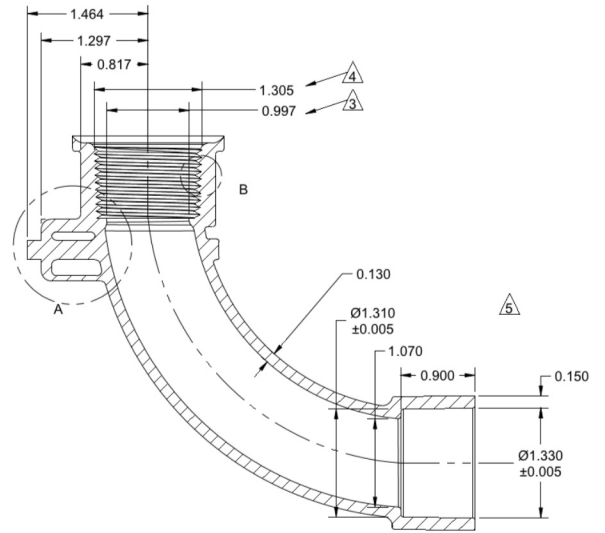
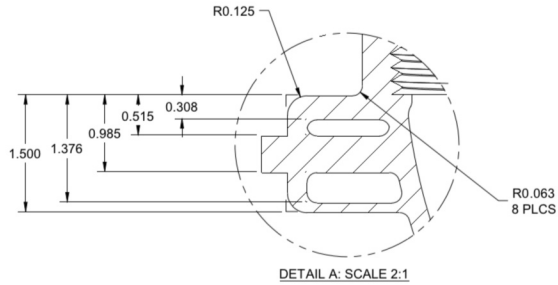
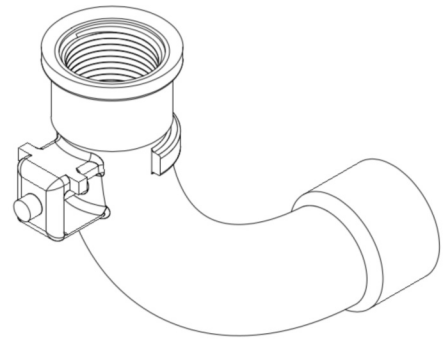
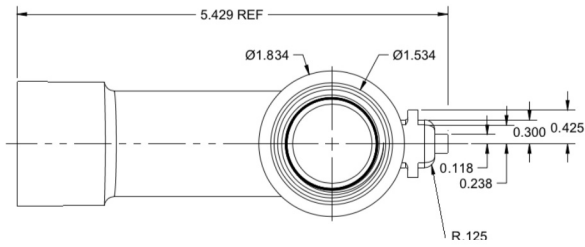


# PVC SHORT RADIUS BEND SPECIFICATIONS

## SRB-100



DETAIL B: SCALE 10:1